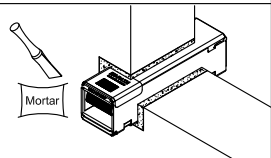
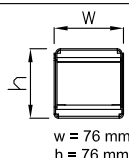
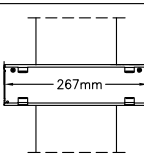
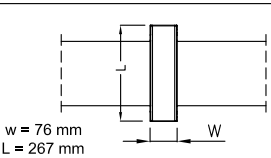
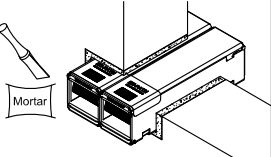
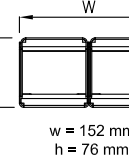
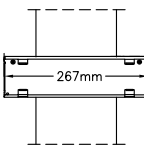
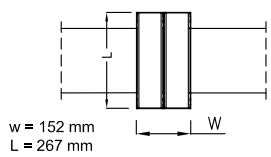
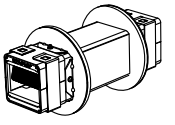
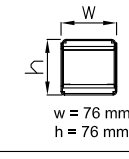
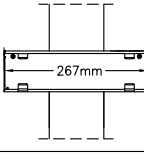
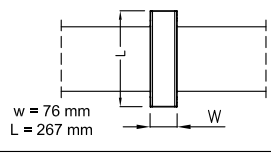
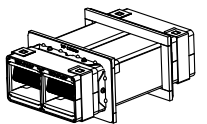
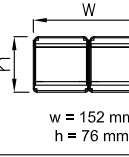
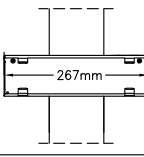
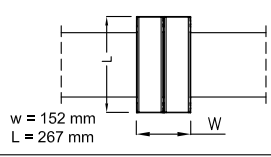
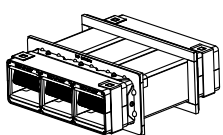
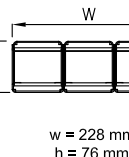
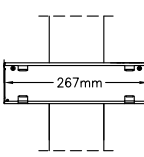
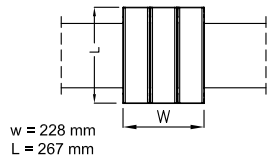
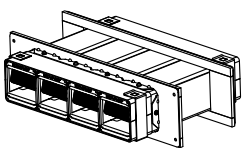
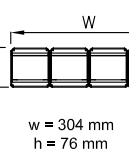
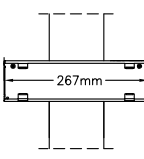
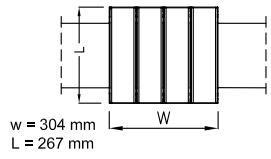
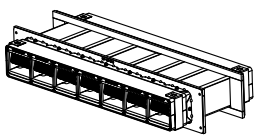
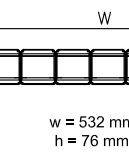
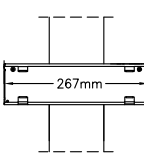
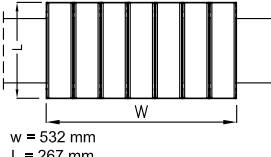


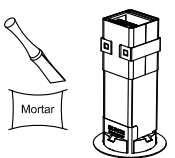
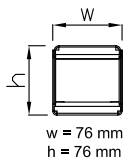
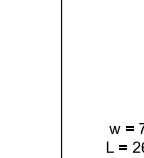
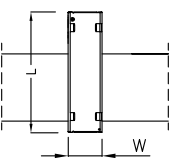
DEMANDE 1 - Diametre maximale du cable 21 mm
- Paroi rigide 150 mm
- EI 90

Seal Type	Number of Pathway(s) Series 33	System	Front view	Side view	Top view
1	1 x Module w = 76 mm h = 76 mm L = 267 mm		 w = 76 mm h = 76 mm		 w = 76 mm L = 267 mm
	2 x Modules w = 152 mm h = 76 mm L = 267 mm		 w = 152 mm h = 76 mm		 w = 152 mm L = 267 mm

DEMANDE 2 - Diametre maximale du cable 21 mm
- Paroi legere et rigide 122 mm
- EI 90

Seal Type	Number of Pathway(s) Series 33	System	Front view	Side view	Top view
2	1 x Module w = 76 mm h = 76 mm L = 267 mm		 w = 76 mm h = 76 mm		 w = 76 mm L = 267 mm
	2 x Modules w = 152 mm h = 76 mm L = 267 mm		 w = 152 mm h = 76 mm		 w = 152 mm L = 267 mm
	3 x Modules w = 228 mm h = 76 mm L = 267 mm		 w = 228 mm h = 76 mm		 w = 228 mm L = 267 mm
	4 x Modules w = 304 mm h = 76 mm L = 267 mm		 w = 304 mm h = 76 mm		 w = 304 mm L = 267 mm
	7 x Modules w = 532 mm h = 76 mm L = 267 mm		 w = 532 mm h = 76 mm		 w = 532 mm L = 267 mm

DEMANDE 3 - Diametre maximale du cable 21 mm
- Plafond rigide 150 mm
- EI 90

Seal Type	Number of Pathway(s) Series 33	System	Front view	Side view	Top view
11	1 x Module w = 76 mm h = 76 mm L = 267 mm		 w = 76 mm h = 76 mm		 w = 76 mm L = 267 mm